

FH2-HY06-GS2

H₂ DETECTOR (24V/CAN)

FH2-HY06-GS2

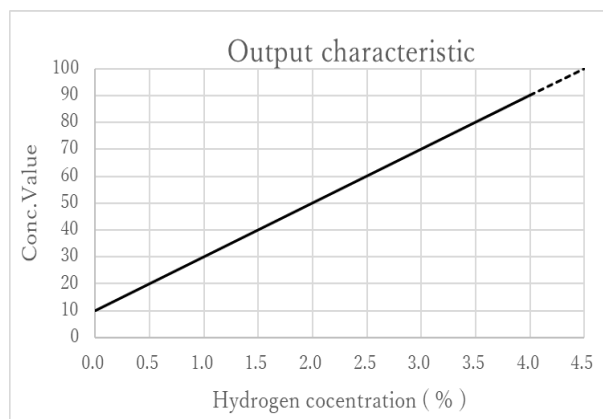
for HYDROGEN LEAK DETECTION

The FH2-HY06-GS2 is a hydrogen detector, specifically designed for detecting hydrogen leaks in fuel-cell vehicles (FCV), for instance, Bus and Delivery Truck.

This sensor realizes a rapid response speed and strong poisoning resistance against silicone compounds. These features achieve the expected demands for long life in actual applications in automobiles, without any need for replacing detectors over a long period.

In combination with sophisticated electronics and software design, Nissha FIS offers the following features in hydrogen leak detection.

- **Rapid response speed**
- **High selectivity**
- **Long life**
- **Compact and light weight**



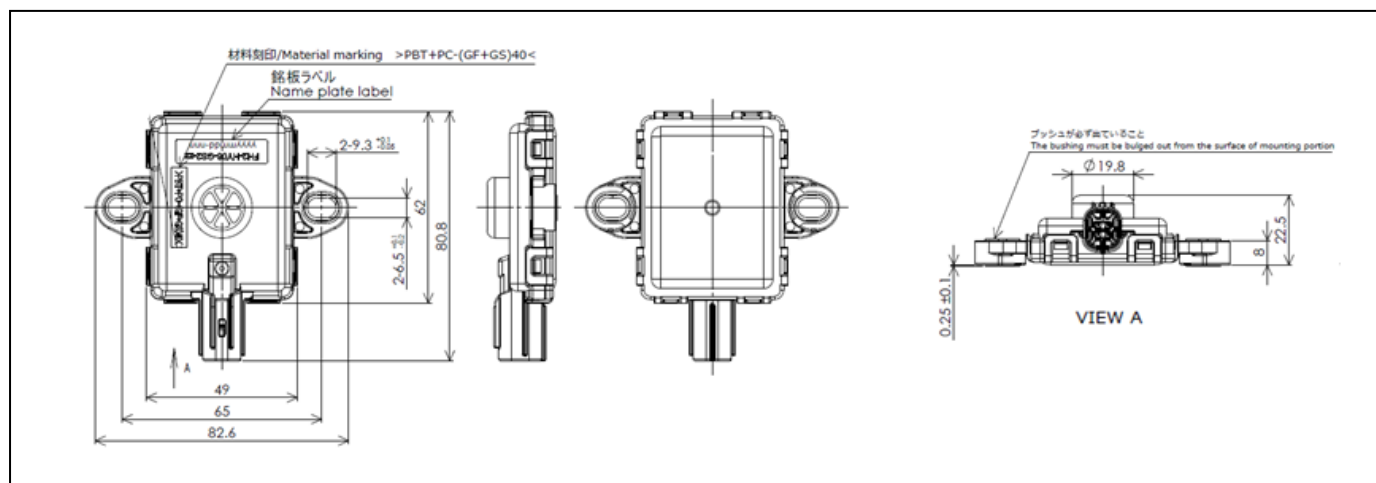
From CAN output, the Hydrogen concentration (%) is calculated with the following formula:

$$\text{Hydrogen concentration (\%)} = (\text{Conc. Value} - 10) / 20$$

Specifications: FH2-HY06-GS2

Item	Specification
Sensing principle	Catalytic combustion type
Detection gas	Hydrogen
Concentration range	0 ~4 vol.% in air
Initial accuracy	0 ppm:±1,000 ppm, above 10,000 ppm: ± 10 %($\geq -35^{\circ}\text{C}$), ± 20 %(< -35°C)
Start-up time	≤ 1 second
Speed of response(T90)	≤ 3 seconds
Supply voltage	24 V (16 V ~ 32 V) DC
Power consumption	≤ 500 mW (at stable state)
Output signal	CAN ISO11898 Ver.2.0B (expanded format) Baud rate: 250 kbps
Operating temperature & humidity	$-40^{\circ}\text{C} \sim 85^{\circ}\text{C}$ / < 100 %RH (no condensation)
Operating environment	Oxygen concentration 20 % \pm 10 %
Storage temperature & humidity	$-40^{\circ}\text{C} \sim 105^{\circ}\text{C}$ / < 100 %RH (no condensation)
Dimensions	82.6 (W) \times 80.8 (D) \times 22.5 (H) mm
Weight	Approx. 60 g

DIMENSIONS / CONFIGURATIONS



Nov.2022 Revised

Nissha FIS, Inc.

2-4-28 Tagawa, Yodogawa-ku,
Osaka 532-0027 Japan
Tel: +81-6-7176-3911
Fax: +81-6-7176-3912
<http://www.fisinc.co.jp/en/>